



CHALLENGER 3160

55 t capacity class

All Terrain Cranes

Product Flyer

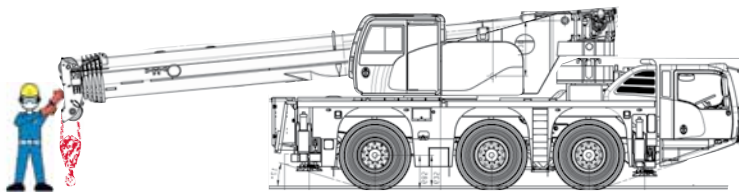
EFFICIENCY ON 3 AXLES



WORKS FOR YOU.™

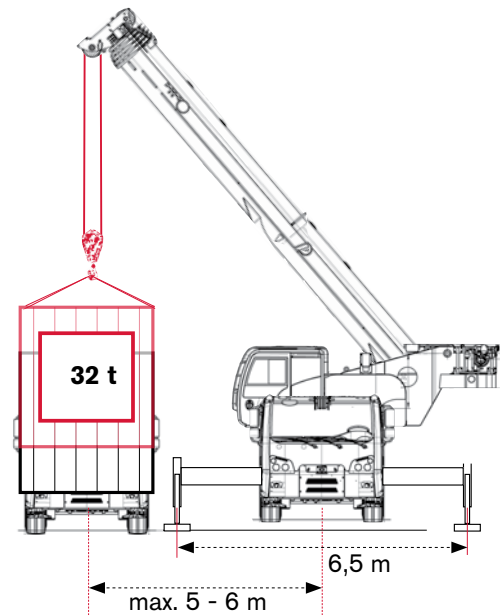
SPECIFICATIONS

CHALLENGER 3160



Capacity Class	55 t (60,63 USt)
Main Boom Length	50 m (164 ft)
Max. lifting capacity	35,6 t @ 4 m radius
Container radius cap.	32,5 t @ 5 m radius
Max. load moment	163 mt
Lifting capacity at 42 m*	6,9 t
Lifting capacity at 50 m*	3,8 t

* boom length



Operational Ease

Purpose-designed for ease of use by a single crane operator. Fully equipped and roadable within 12 t axle load – everything aboard this machine can be handled by just one man.

- ▶ All-In-One Crane, optimized for one man operation
- ▶ Only 2,55 m width (truck standard) - also with optional 445/95R25 (16.00) tyres - no permits required!
- ▶ 35,0 t weight at basic configuration allows up to 1000 kg payload/storage for lifting tackles and accessoires
- ▶ Variable axle load configurations (12 t, 10 t, <10 t) assure world-wide roadability.
- ▶ Can be de-rigged by itself to perform country specific gross vehicle weights of less than 30 t
- ▶ Standard active all-wheel steering provides optimum maneuverability and reduced tyre wear
- ▶ Innovative 3-sheave hook block „VarioHook“ with configurable ballast - saves weight, time and costs
- ▶ To avoid working at heights and to make rigging more easy and fast the main boom can be tilted up to 5° under floor. Assembly of variable assembly jib or re-reeving of the hook block can be handled safely from the ground

Strength and Power

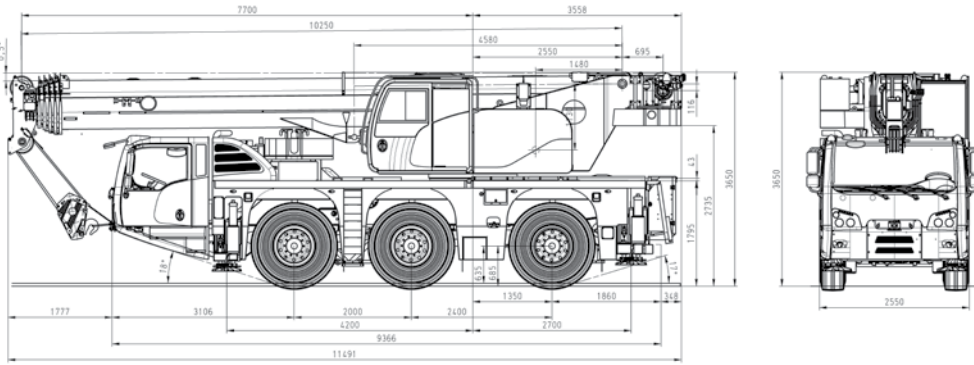
A 50 m single cylinder telescoping system provides the world's longest telescopic boom on a fully roadable, 3-axle All Terrain crane.

Combined with a powerful engine it is the strongest All Terrain crane in its capacity class. This ensures shortest rigging time in combination with best reach.

- ▶ This crane can lift 1,0 t at a radius of 38 m - a value that a 4-axle crane in the 70 t class would achieve normally when used in 12 t per axle road configuration
- ▶ On a typical "Container radius" of 5 m this crane can lift the 32,5 t of a 45" high-cube ISO-container
- ▶ 50m single main boom saves the cost for a jib
- ▶ Work inside buildings where special equipment is usually required, due to:
 - compact size, tight turning radius
 - lifting capacity of 15 t during telescoping
- ▶ An extra powerful hoist combined with a 18 mm rope (6,0 t cable pull) reduces the need of re-reeving and means shorter rigging times
- ▶ State-of-the-art 240 kW (326 HP)(6,9 kW/t specific driving power) high torque engine certified in accordance with EuroMot 3b, TIER 4i, CARB combined with a 12-shift automatic gearbox and a two-stage transfer box enables fast speed on the road as well as high off-road capabilities and low fuel consumption at the same time

DIMENSIONS

CHALLENGER 3160



Applications:

- ▶ Construction lift and place
- ▶ Refinery refurbishment and maintenance
- ▶ Equipment unloading and placement
- ▶ Working inside buildings
- ▶ Rental services

Basic machine weight	35.000	Payload table [kg]								
Drive train 6x6x6	220					x	x	x	x	x
Tyres 445/95R25 (16.00R25)	330		x		x			x	x	x
Retarder/ eddy-current brake	200		x		x		x		x	x
Payload for lifting equipment	Σ	1.000	800	670	470	780	580	450	250	450*

* with special counterweight (Option)

6,9 t
6,90 m x 6,50 m
360°
ISO

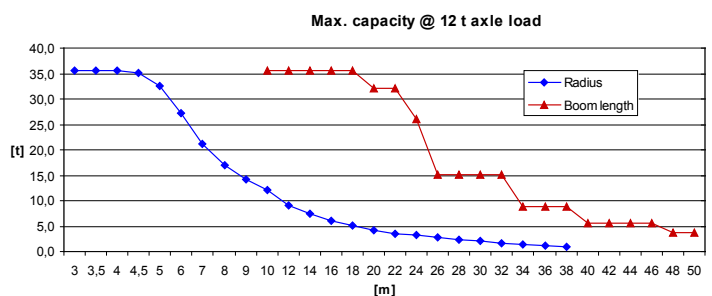
	10,3	13,8	17,3	20,8	24,3	27,8	31,3	34,8	37,4	38,3	41,9	41,8	45,4	45,3	50,0	
	t	t	t	t	t	t	t	t	t	t	t	t	t	t	t	
	55,0*	-	-	-	-	-	-	-	-	-	-	-	-	-	-	
3	35,6	35,6	35,6	31,0	-	-	-	-	-	-	-	-	-	-	-	3
3,5	35,6	35,6	34,2	29,4	26,1	-	-	-	-	-	-	-	-	-	-	3,5
4	35,6	35,6	32,4	27,9	24,3	21,4	-	-	-	-	-	-	-	-	-	4
4,5	35,2	34,3	30,9	26,5	23,0	20,5	-	-	-	-	-	-	-	-	-	4,5
5	32,5	32,3	29,3	25,1	21,6	19,7	14,8	-	-	-	-	-	-	-	-	5
6	27,0	27,1	25,7	22,9	19,2	17,9	13,3	11,6	-	-	-	-	-	-	-	6
7	20,5	21,2	20,7	20,0	17,6	16,2	12,2	10,6	5,7	8,9	-	-	-	-	-	7
8	-	16,8	16,9	16,7	16,1	14,7	11,4	9,8	5,4	8,6	5,0	6,9	-	-	-	8
9	-	13,8	14,1	13,7	14,1	13,3	10,8	9,1	5,1	8,3	4,8	6,7	4,4	5,5	-	9
10	-	11,8	12,1	12,1	11,9	11,6	10,3	8,4	4,8	7,8	4,6	6,6	4,3	5,4	3,8	10
12	-	-	9,1	9,1	8,9	8,8	8,9	7,3	4,2	6,7	4,2	6,1	4,0	5,2	3,8	12
14	-	-	7,2	7,1	7,4	7,2	7,0	6,3	3,7	5,9	3,8	5,5	3,7	4,9	3,7	14
16	-	-	-	5,9	6,1	5,9	5,6	5,6	3,3	5,2	3,3	5,0	3,4	4,6	3,5	16
18	-	-	-	5,1	5,0	4,9	4,8	4,7	2,9	4,5	2,9	4,3	3,1	4,2	3,2	18
20	-	-	-	-	4,3	4,1	4,2	4,0	2,6	3,8	2,7	3,8	2,7	3,7	2,9	20
22	-	-	-	-	-	3,6	3,6	3,4	2,4	3,4	2,4	3,3	2,5	3,1	2,6	22
24	-	-	-	-	-	3,2	3,1	2,9	2,2	2,9	2,1	2,7	2,3	2,5	2,3	24
26	-	-	-	-	-	-	2,7	2,6	1,9	2,5	1,9	2,3	2,0	2,1	2,1	26
28	-	-	-	-	-	-	2,3	2,3	1,8	2,1	1,7	1,9	1,9	1,8	1,7	28
30	-	-	-	-	-	-	-	2,0	1,7	1,8	1,5	1,6	1,6	1,4	1,4	30
32	-	-	-	-	-	-	-	1,7	1,5	1,6	1,4	1,4	1,4	1,2	1,2	32
34	-	-	-	-	-	-	-	-	1,5	1,3	1,3	1,1	1,2	1,0	0,9	34
36	-	-	-	-	-	-	-	-	-	1,1	0,9	0,9	0,8	0,7	-	36
38	-	-	-	-	-	-	-	-	-	-	1,0	0,8	0,8	-	-	38

* capacity class

Options to increase comfort, safety and productivity

The design integrates proved equipment to insure efficiency

- ▶ New crane and carrier cabs with more functionality, comfort and ergonomics. All controls are within easy reach of the operator to improve productivity
- ▶ For operator aid the well known Terex® IC-1 control system is implemented
- ▶ Optionally the crane can be driven out of the operator cab
- ▶ Powerful disc brakes provide highest safety standards on the road
- ▶ Eddy current brakes to reduce wear on brakes (optional)
- ▶ Variable assembly jib is available to optimize lifts inside buildings





Your contact information

Terex Cranes
Global Marketing

c/o Terex GmbH
Dinglerstraße 24
66482 Zweibrücken
Germany
Tel. + 49 (0) 6332 830
E-Mail info.cranes@terex.com



www.terexcranes.com

Effective Date: Dezember, 2011. Product specifications and prices are subject to change without notice or obligation. The photographs and/or drawings in this document are for illustrative purposes only. Refer to the appropriate Operator's Manual for instructions on the proper use of this equipment. Failure to follow the appropriate Operator's Manual when using our equipment or to otherwise act irresponsibly may result in serious injury or death. The only warranty applicable to our equipment is the standard written warranty applicable to the particular product and sale and Terex makes no other warranty, express or implied. Products and services listed may be trademarks, service marks or trade-names of Terex Corporation and/or its subsidiaries in the USA and other countries. All rights are reserved. Terex is a registered trademark of Terex Corporation in the USA and many other countries.

Please note: Not all products are available in all countries according to legal requirements.
Please consult your local Terex distributor for more information.
Copyright Terex Corporation 2011

Flyer Reference:
Challenger 3160 Flyer 12/11



WORKS FOR YOU.™